

# ELOS-F5-5TX

## MAIN FEATURES



### 5\*10/100Base-T Industrial Ethernet Switches

**Input Voltage:** DC12~58V

**Operating Temperature:** -30°C ~ +75°C

**Shell:** IP40 protection, fanless design

**Test Report:** CCC, RoHS, FCC, CE

**Anti-static:** 8KV-15KV

**MTBF:** 100000 Hours

## PRODUCT DESCRIPTION

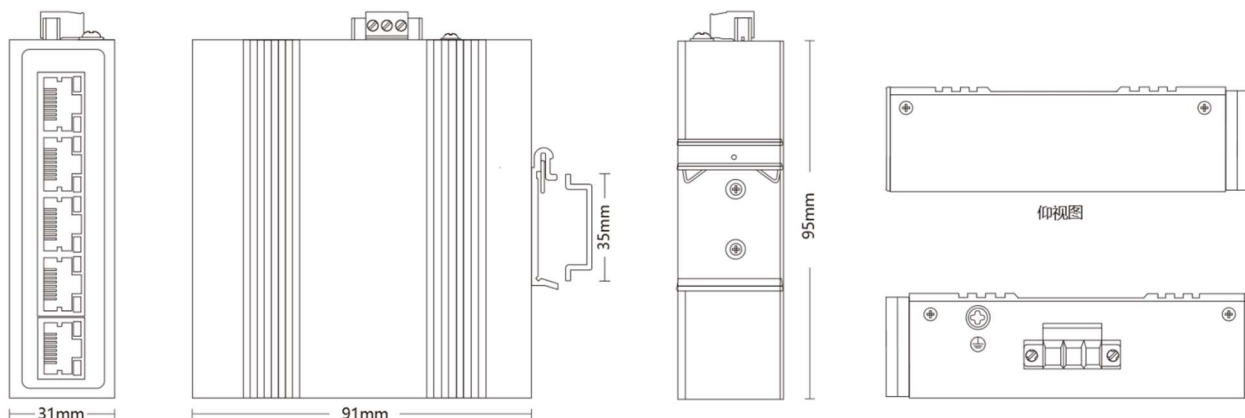
This device is 5\*10/100Base-T Industrial Ethernet Switches. It through the fanless heat dissipation circuit design, wide range of working environment temperature, high protection level and other technologies, it provides excellent industrial quality with high/low temperature resistance and lightning protection and enhances the reliability and safety of industrial networks. The device can be widely applied to various broadband data transmission fields such as intelligent transportation, telecommunications, security, financial securities, customs, shipping, power, water conservancy and oil fields.

## PRODUCT PARAMETERS

<b>Provider Mode Ports</b>	
Fixed port	5*10/100Base-T
Power interface	Phoenix terminal, dual power supply
LED Indicators	P1/P2, OPT
<b>Cable Type &amp; Transmission Distance</b>	
Twisted-pair	0-100m (CAT5e,CAT6)
<b>Network Topology</b>	
Ring topology	Unsupported
Star topology	Support
Bus topology	Support
Tree Topology	Support
<b>Electrical Specifications</b>	
Input voltage	DC12~58V
Total Power consumption	<5W
<b>Layer 2 Switching</b>	
Switching capacity	1G
Packet forwarding rate	0.744Mpps
MAC address table	2K
Buffer	768K
Forwarding delay	<5us
MDX/MIDX	Support
Jumbo frame	2K bytes
<b>Environment</b>	
Operating temperature	-30°C~+75°C
Storage temperature	-30°C~+75°C
Relative humidity	10%~90% (non-condensing)

Thermal methods	Fanless, natural cooling
MTBF	100,000 hours
<b>Mechanical Dimensions</b>	
Product size	95*91*31 mm
Installation Method	DIN-rail
Weight	0.3KG around
<b>EMC &amp; Ingress Protection</b>	
IP Level	IP40
Surge protection of Power	IEC 61000-4-5 Level 3 (4KV/2KV) (8/20us)
Surge protection of Ethernet port	IEC 61000-4-5 Level 3 (4KV/2KV) (10/700us)
ESD	IEC 61000-4-2 Level 4 (8K/15K)
Free fall	0.5m
<b>Authentication</b>	
Authentication	CCC/CE/FCC/RoHS
<b>Accessories</b>	
Accessories	Device, Terminals, Specification, Certificate Adapter(optional)
<b>Optional Models</b>	
ELOS-F5-8TX	8*10/100M RJ45 Port
ELOS-S5-16TX	16*10/100M RJ45 Port

## SIZE AND APPEARANCE



Front view

Side view

Back view

Top view